

- Band12, RF-Rx Balanced SAW Filter
- Preliminary: August 2013

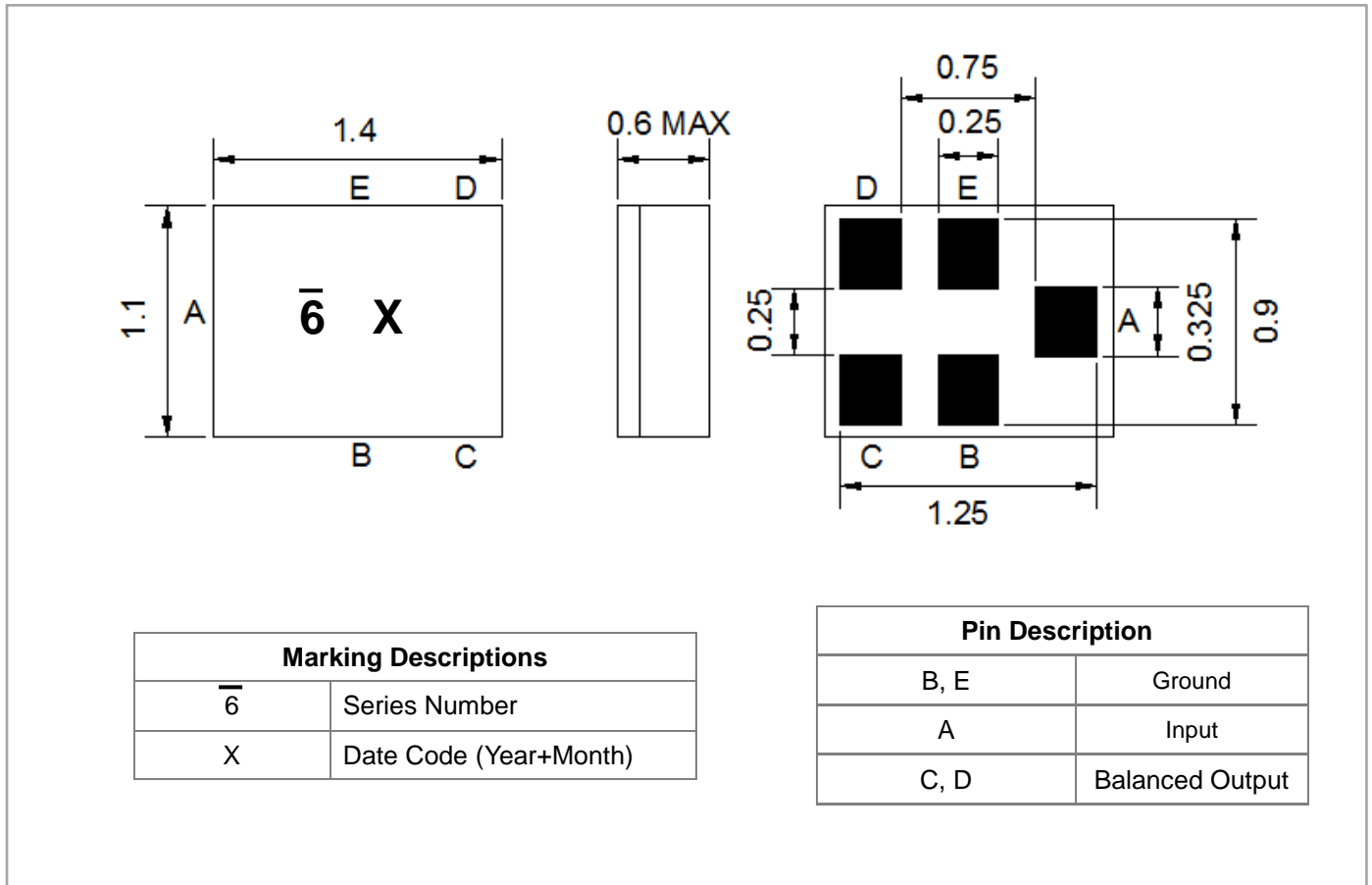
Electrical Characteristics

MAXIMUM RATING				
PARAMETERS DESCRIPTION	UNIT	MINIMUM	TYPICAL	MAXIMUM
Operating Temperature Range	°C	-30	-	+85
Storage Temperature Range	°C	-40	-	+85
Maximum DC Voltage	V	-	-	0
Maximum Input Power	dBm	-	-	15
Source Impedance (unbalanced) ⁽¹⁾	Ω	-	50	-
Load Impedance (balanced) ⁽¹⁾	Ω	-	100	-
Package type & size	C23			
Length x Width	mm ²	-	1.4 x 1.1	-
Height	mm	-	-	0.6

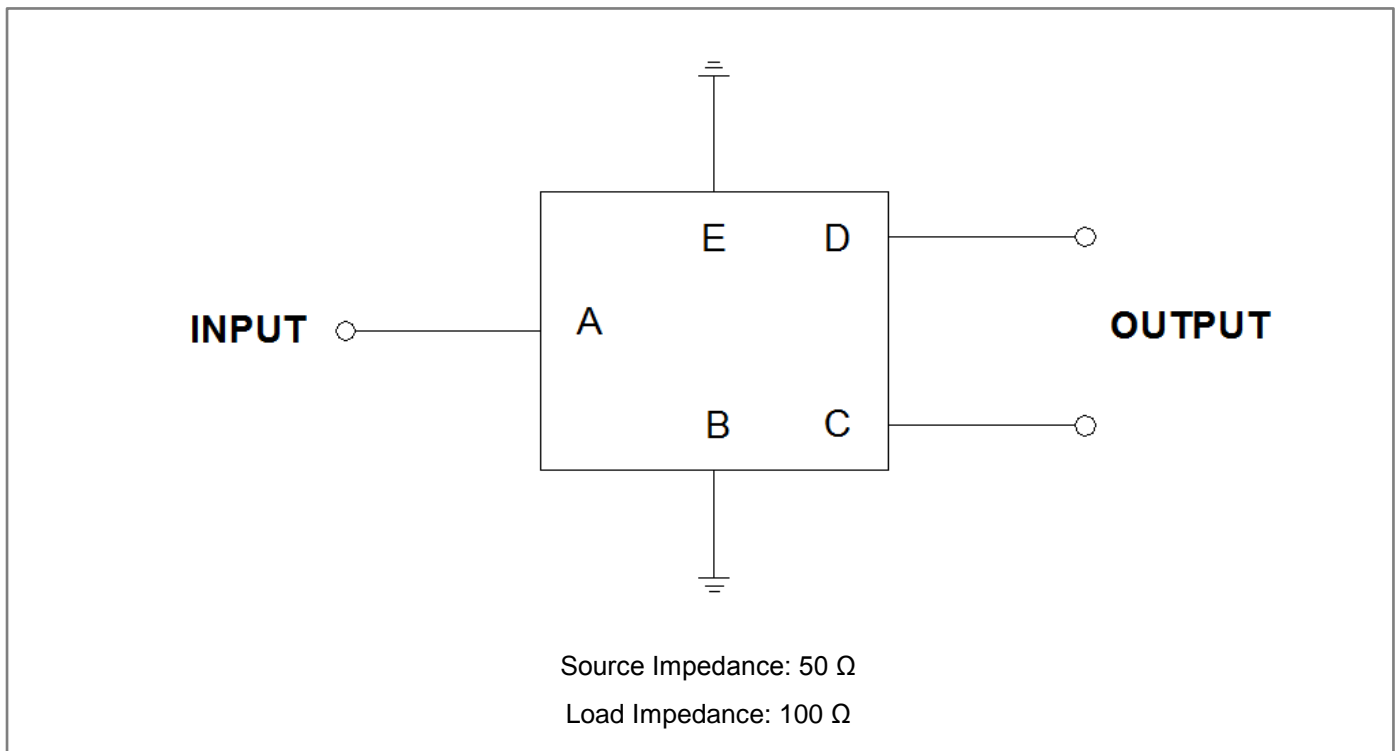
ELECTRICAL SPECIFICATION				
PARAMETERS DESCRIPTION	UNIT	MINIMUM	TYPICAL	MAXIMUM
Center Frequency (Fo)	MHz	-	737.5	-
Insertion Loss within 728.0~746.0 MHz	dB	-	1.8	3.0
Amplitude Ripple within 728.0~746.0 MHz	dB _{p-p}	-	0.5	1.5
Attenuation:				
0.3 ~ 698.0 MHz	dB	45	57	-
698.0 ~ 716.0 MHz	dB	25	39	-
716.0 ~ 722.0 MHz	dB	5	9	-
722.0 ~ 727.0 MHz	dB	1.5	2.5	-
776.0 ~ 806.0 MHz	dB	30	41	-
806.0 ~ 849.0 MHz	dB	45	58	-
869.0 ~ 894.0 MHz	dB	45	60	-
1456.0 ~ 1492.0 MHz	dB	40	50	-
1710.0 ~ 1755.0 MHz	dB	40	48	-
1850.0 ~ 1910.0 MHz	dB	40	46	-
1930.0 ~ 2000.0 MHz	dB	40	46	-
2110.0 ~ 2170.0 MHz	dB	35	45	-
2184.0 ~ 2238.0 MHz	dB	35	44	-
2912.0 ~ 2984.0 MHz	dB	30	39	-
VSWR within 728.0~746.0 MHz	-	-	1.9	2.3

Notes: (1) No Matching Network (Ref. Testing Environment Circuit as shown below).

Package Dimensions

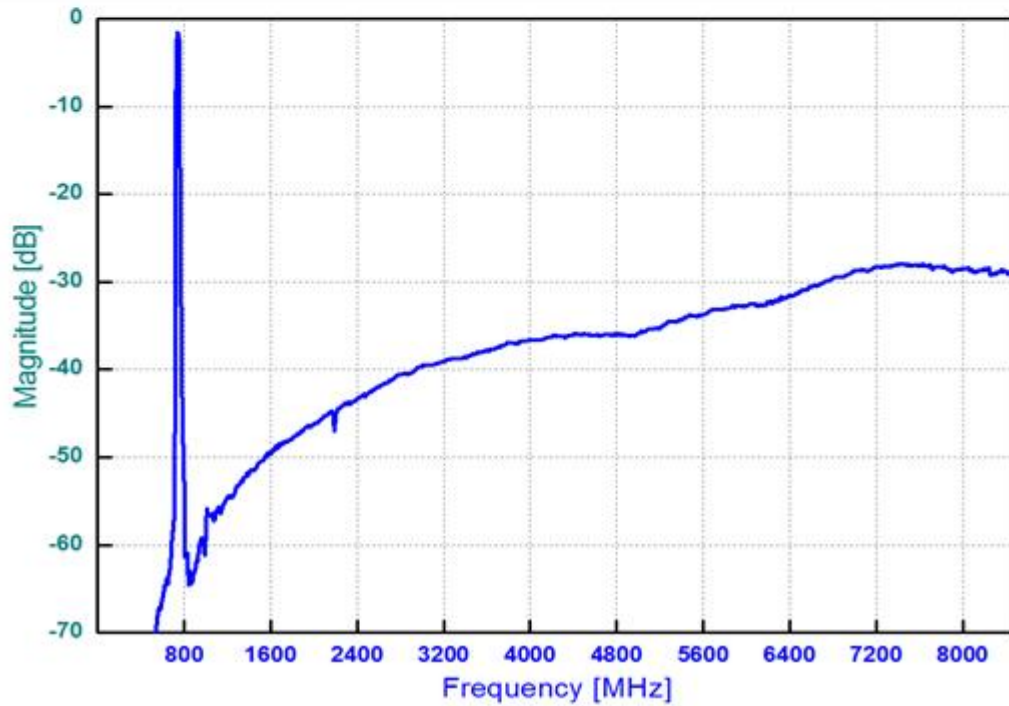
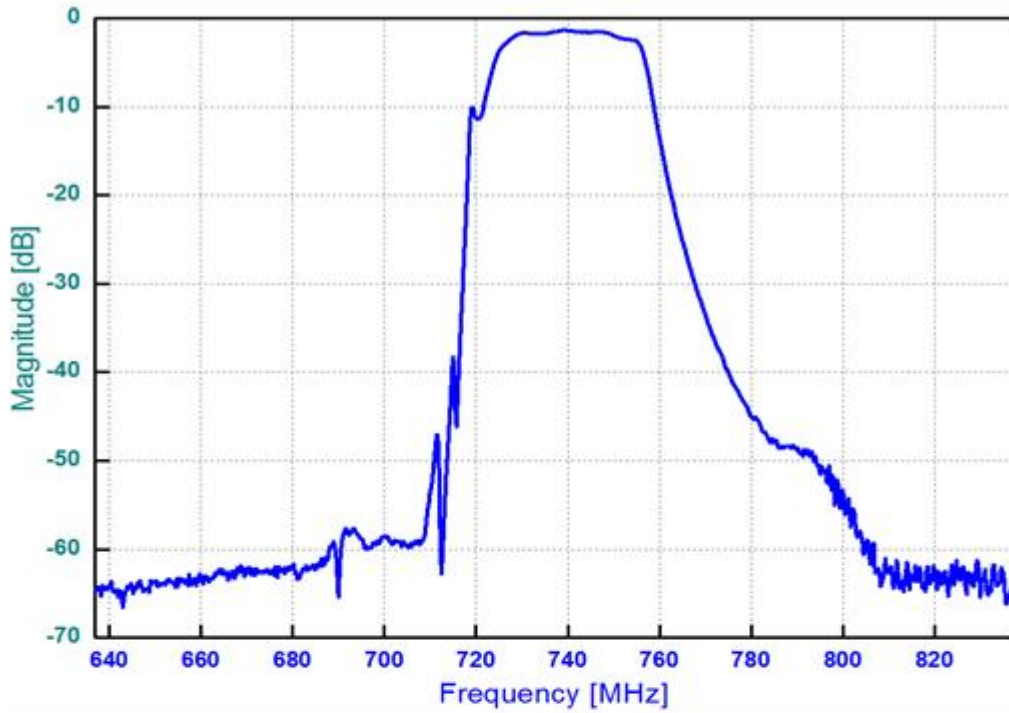


Testing Environment

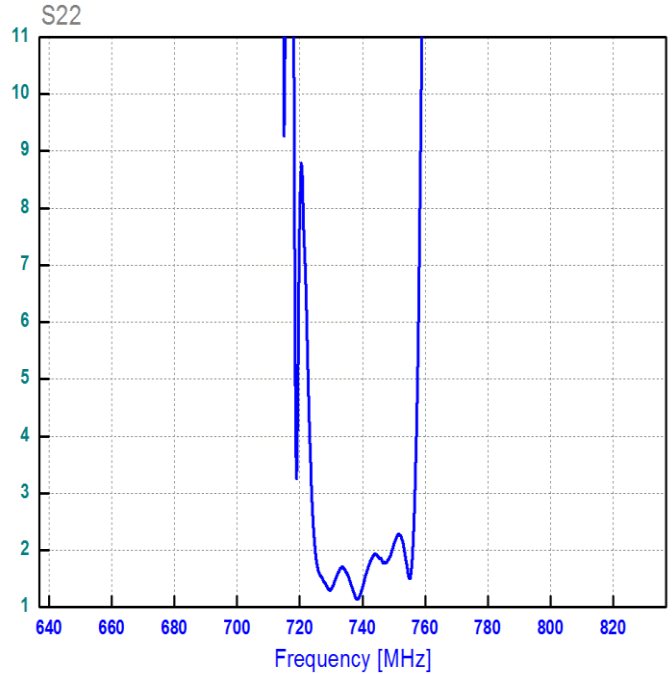
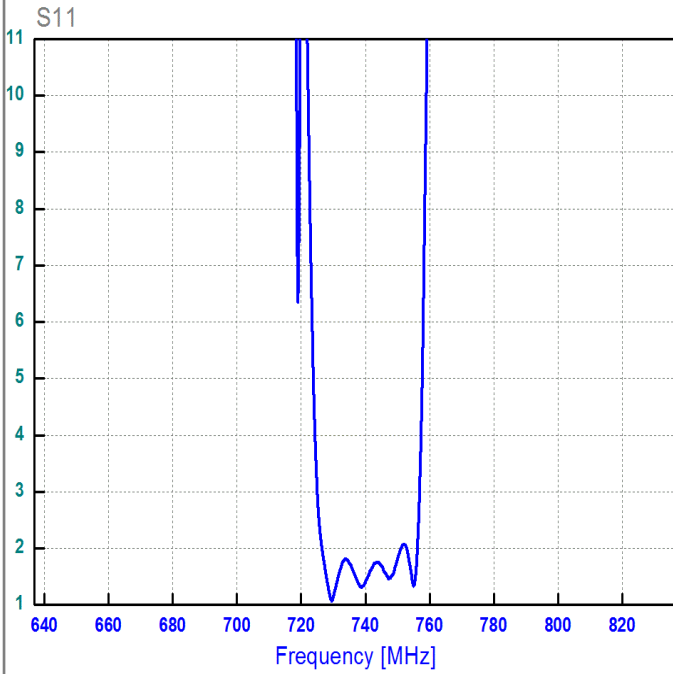


Frequency Characteristics

Frequency Response



VSWR



Smith Chart

